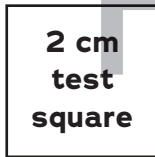
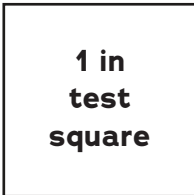


Starlet

GOWN

Sizes 2-20
with cup sizes A-H

5/8 inch (in) (1.5 cm) seam allowances
are included on all pattern pieces.



PAGE

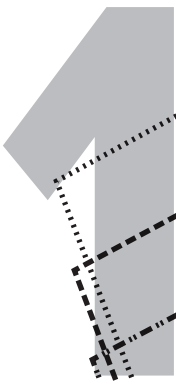


SIZES 2-20
PATTERN
SIZE KEY

2	—————
4	- - - - -
6
8	- . - . - .
10
12	- . - . - .
14
16	- . - . - .
18
20	- . - . - .

SYMBOL KEY

- grainline arrow
- match point/
placement mark
- bust apex



FOLD BACK THIS MARGIN

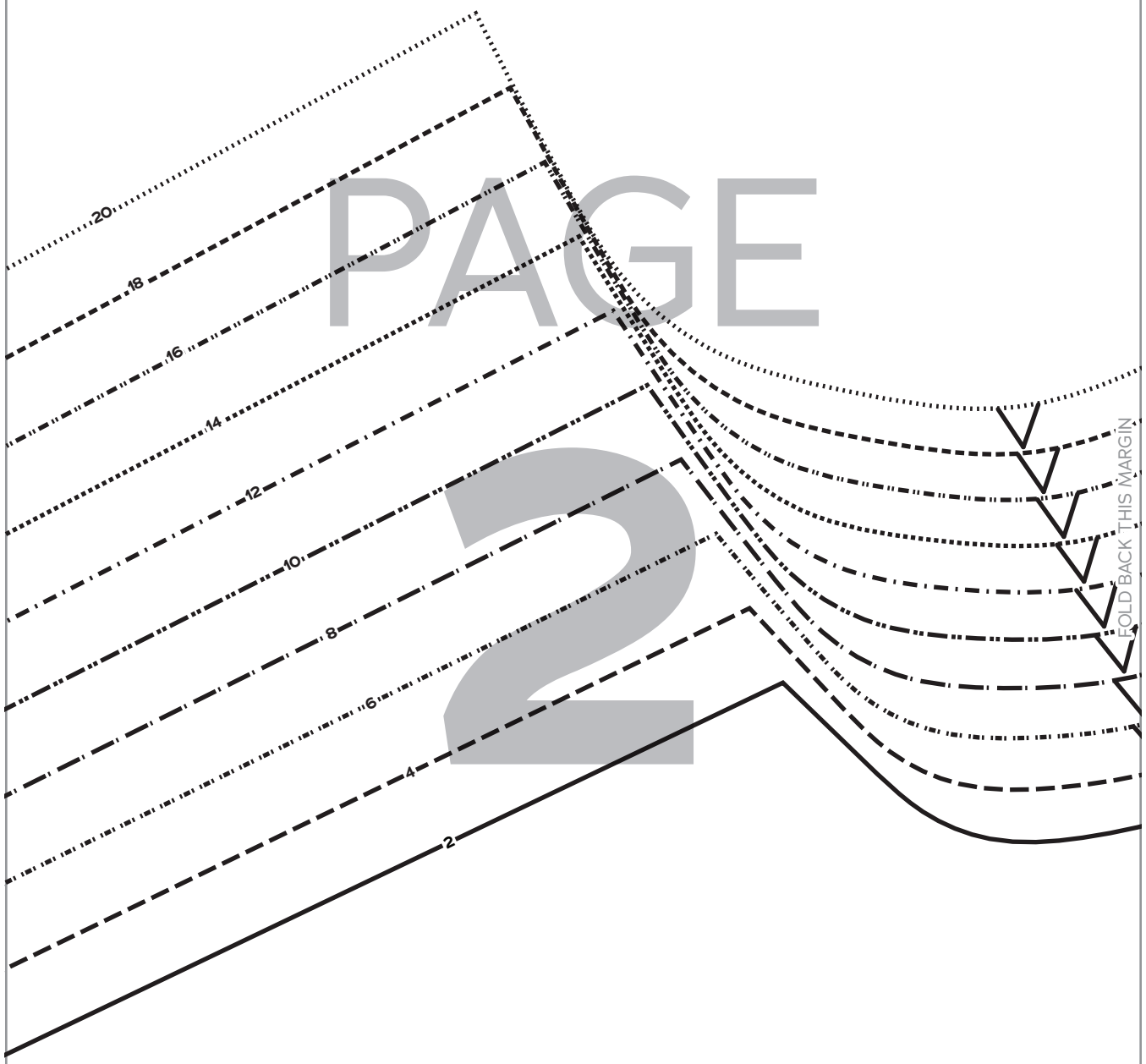
FOLD BACK THIS MARGIN

A1

© 2023 Charm Patterns
by Gertie. Distribution
and Commercial Use
Prohibited.

PAGE

2



FOLD BACK THIS MARGIN

A1

FOLD BACK THIS MARGIN

A2

PAGE

3

FOLD BACK THIS MARGIN

2

4

A2

FOLD BACK THIS MARGIN

A3



20
18
16
14
12
10
8
6
4
2

TOPSTITCH

PAGE

4

FOLD BACK THIS MARGIN

A3

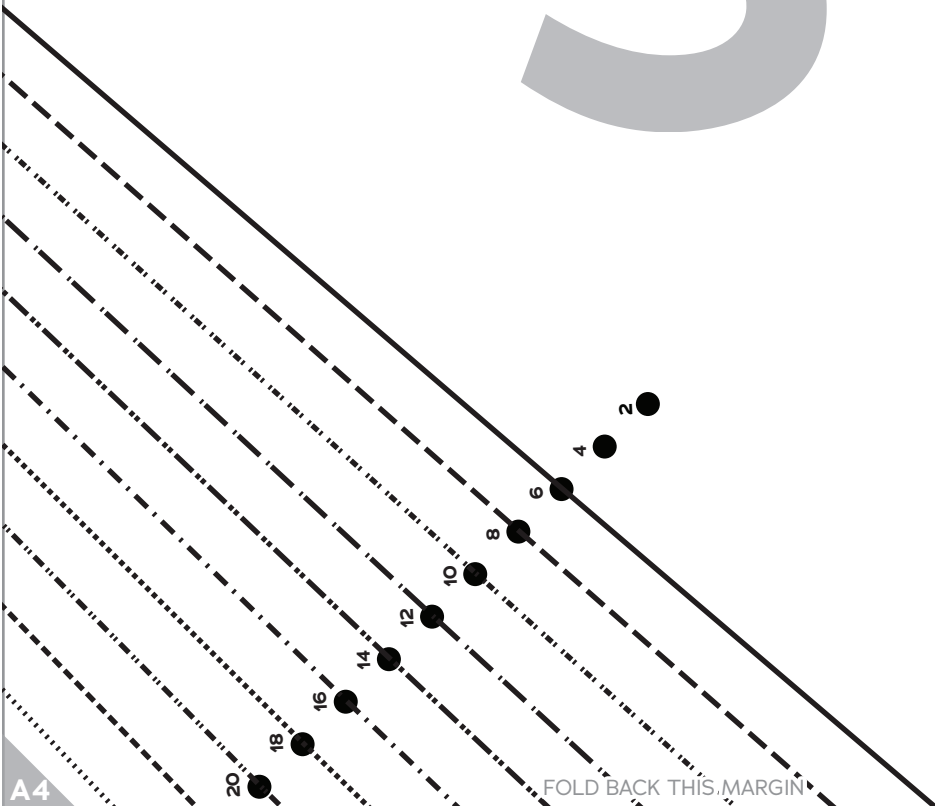
FOLD BACK THIS MARGIN

A4

PAGE

5

FOLD BACK THIS MARGIN



A4

FOLD BACK THIS MARGIN

A5

FOLD

PAGE

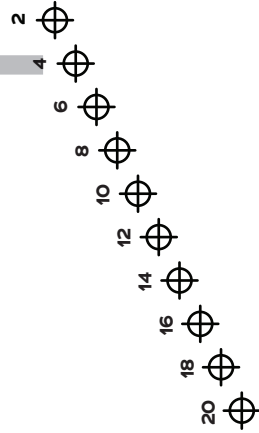
Society of CHARM
Starlet

GOWN
SIZES 2-20

1

Bodice
Front,
A-C Cup

Cut 1 fabric on fold,
1 lining on fold



FOLD BACK THIS MARGIN

A5

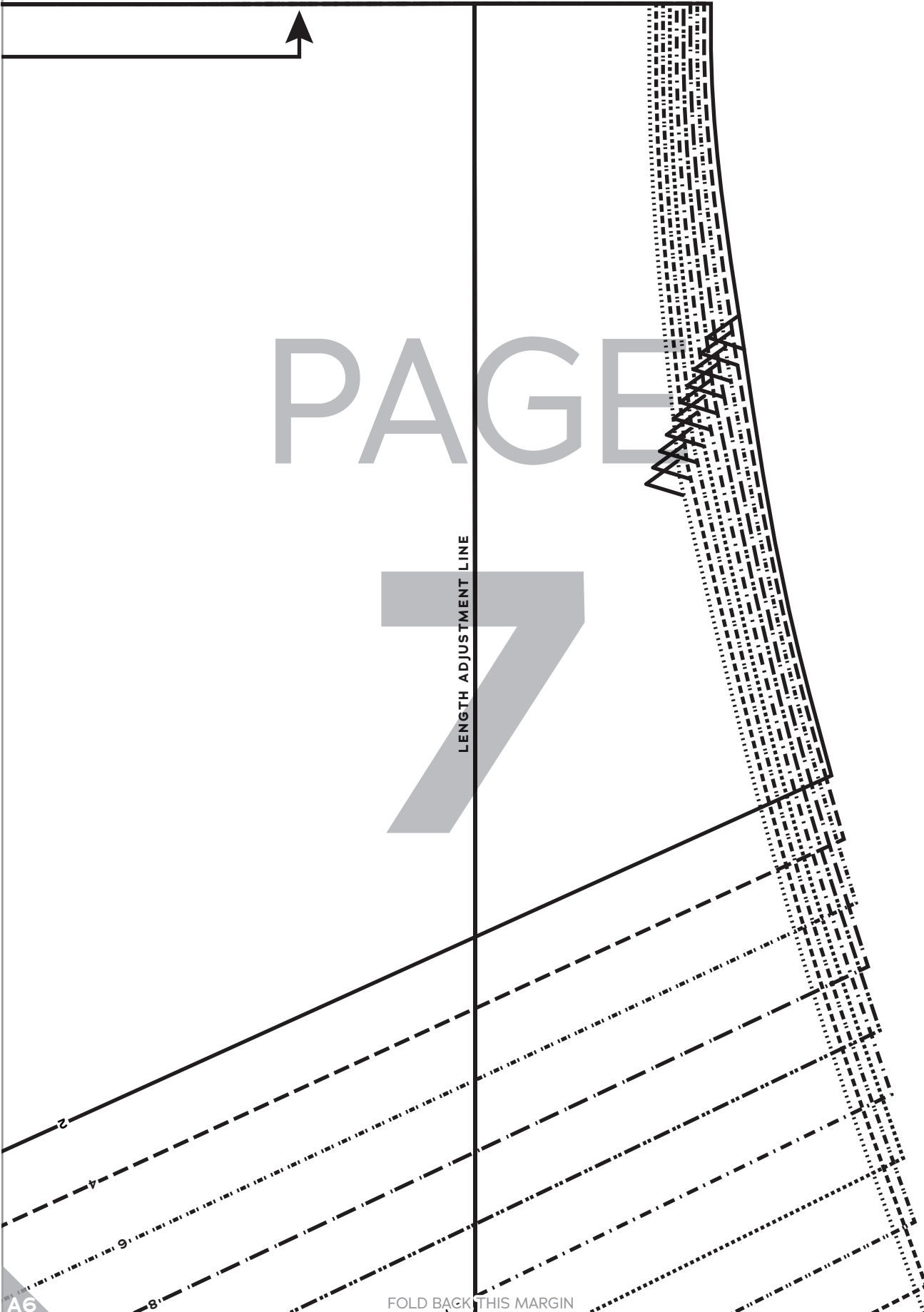
FOLD BACK THIS MARGIN

A6

PAGE

7

LENGTH ADJUSTMENT LINE



A6

FOLD BACK THIS MARGIN

PAGE

8

A1
ADJUSTMENT LINE

FOLD BACK THIS MARGIN

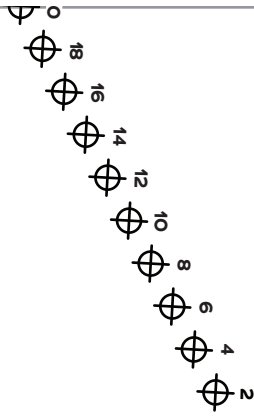
2
4
6
8
10
12
14

FOLD BACK THIS MARGIN

B1

A1

A2



PAGE



FOLD BACK THIS MARGIN

LENGTH ADJUSTMENT LINE

FOLD BACK THIS MARGIN

B1

B2

1
 Bodice
 Front,
 D-G Cup
 Cut 1 fabric on fold,
 1 lining on fold

Society of CHARM
Starlet
GOWN
 SIZES 2-20

PAGE

10

FOLD

FOLD BACK THIS MARGIN

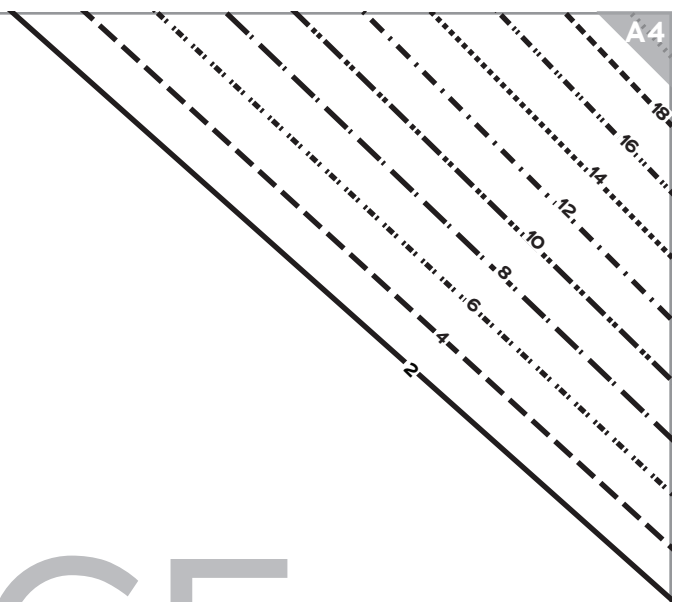
Society of CHARM
Starlet
GOWN
 SIZES 2-20

4
 Skirt
 Front
 Cut 1 fabric on fold

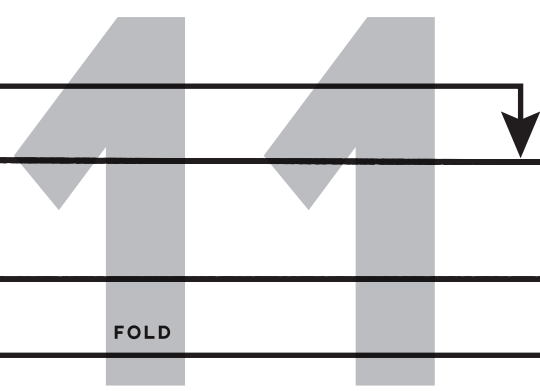
FOLD BACK THIS MARGIN

A3

A4



PAGE



FOLD BACK THIS MARGIN

FOLD

B3

FOLD BACK THIS MARGIN

B4

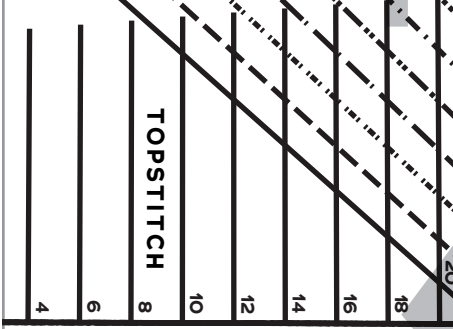
A4

A5

20

PAGE

12



FOLD BACK THIS MARGIN

SHORT SKIRT CUTTING LINE

B4

FOLD BACK THIS MARGIN

B5

A5

A6

PAGE

13

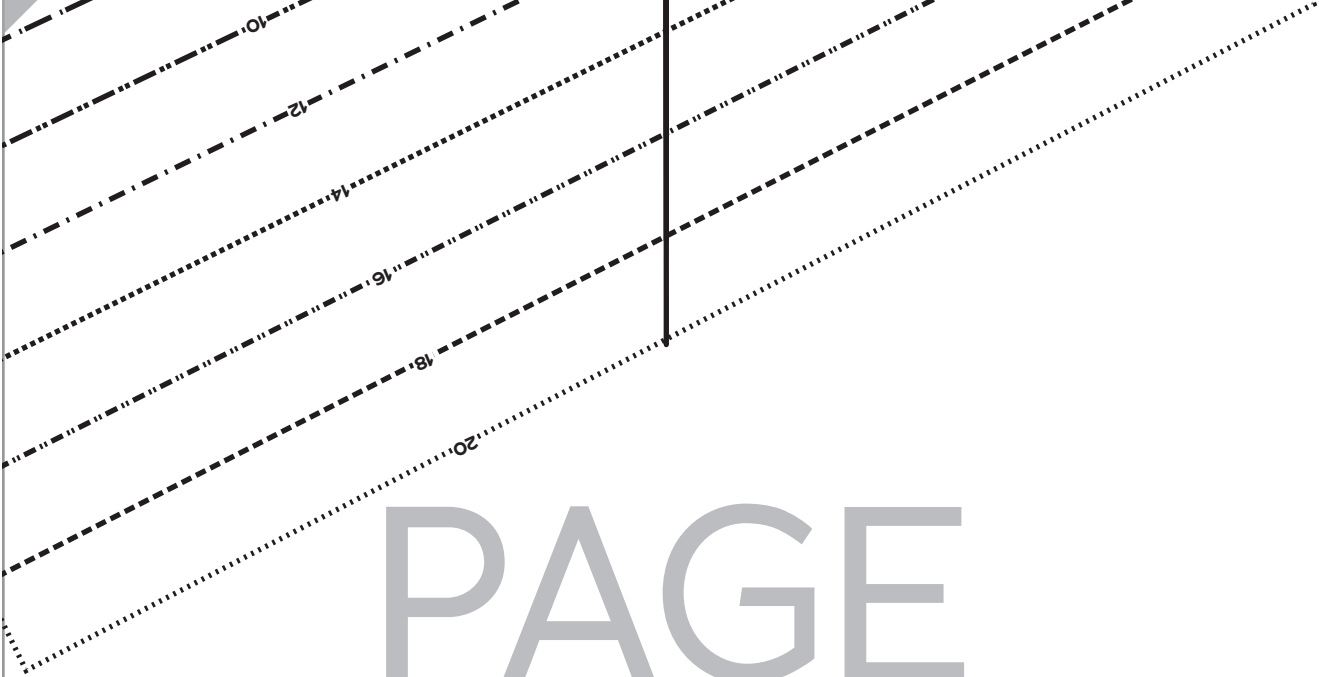
FOLD BACK THIS MARGIN

B5

FOLD BACK THIS MARGIN

B6

A6



PAGE

14

B6

FOLD BACK THIS MARGIN

B1

PAGE

15

FOLD BACK THIS MARGIN

FOLD BACK THIS MARGIN

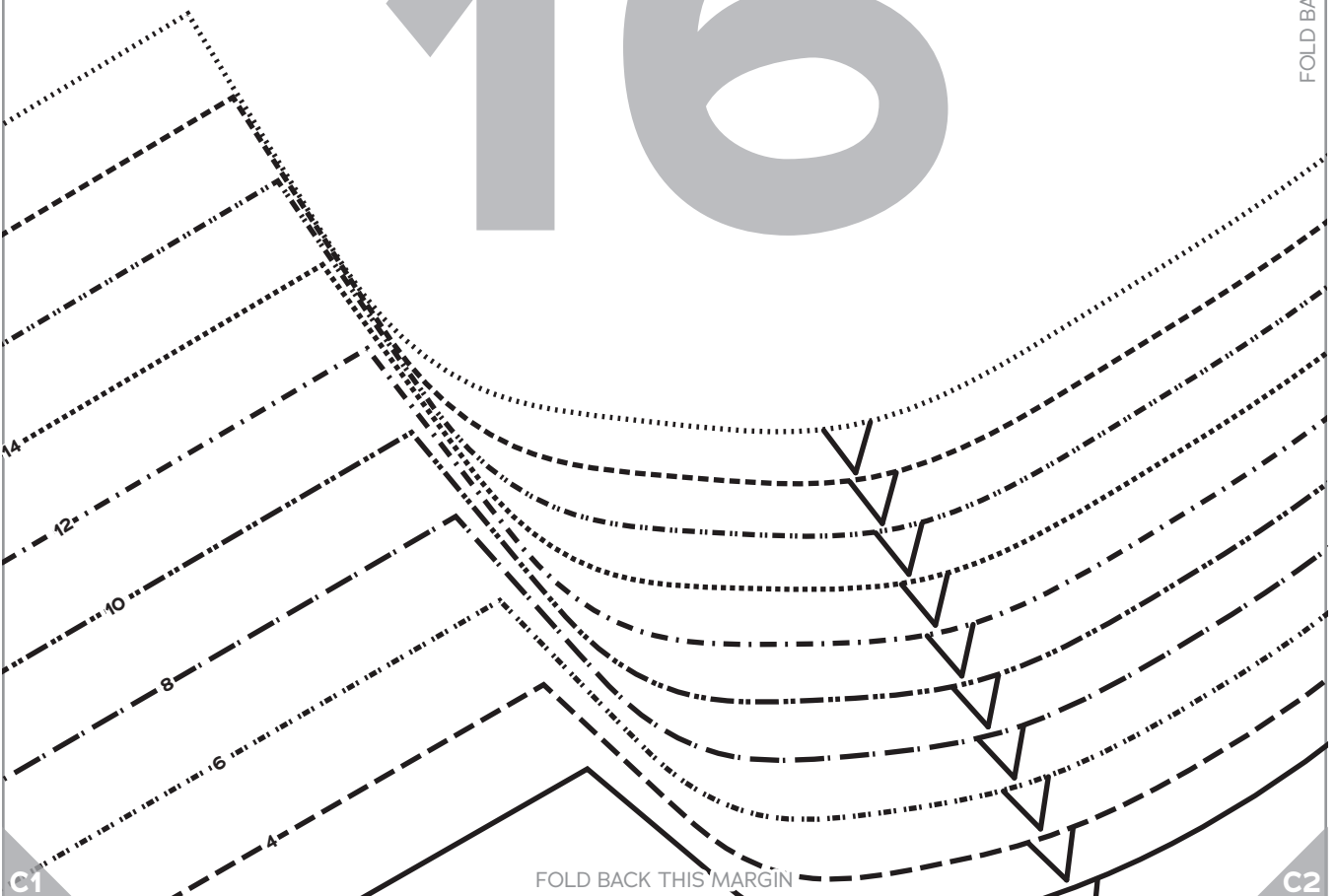
C1

B1

B2

PAGE 16

FOLD BACK THIS MARGIN



C1

FOLD BACK THIS MARGIN

C2

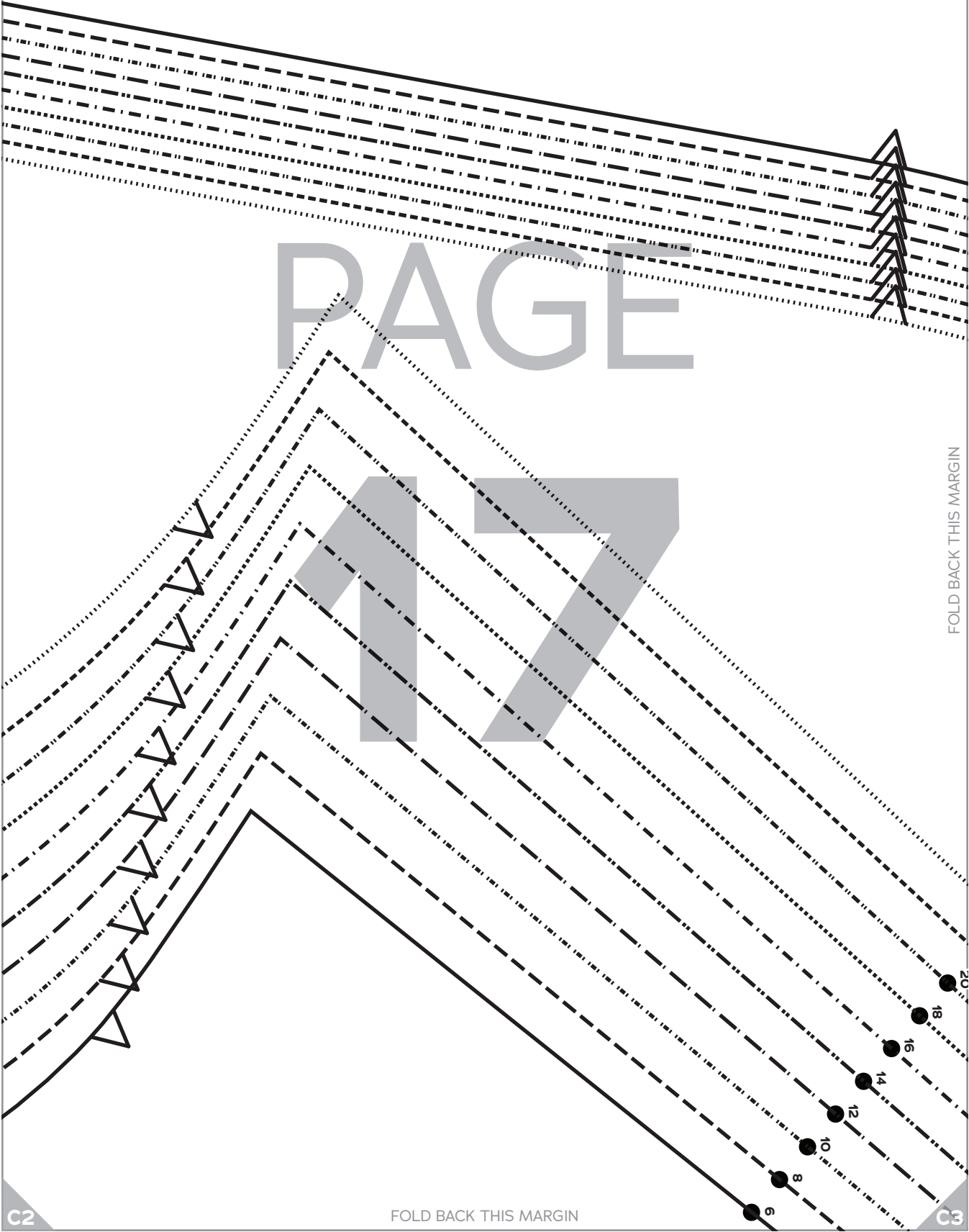
B2

B3

PAGE

17

FOLD BACK THIS MARGIN



FOLD BACK THIS MARGIN

C2

C3

B3

B4

PAGE

18

FOLD BACK THIS MARGIN

FOLD BACK THIS MARGIN

C3

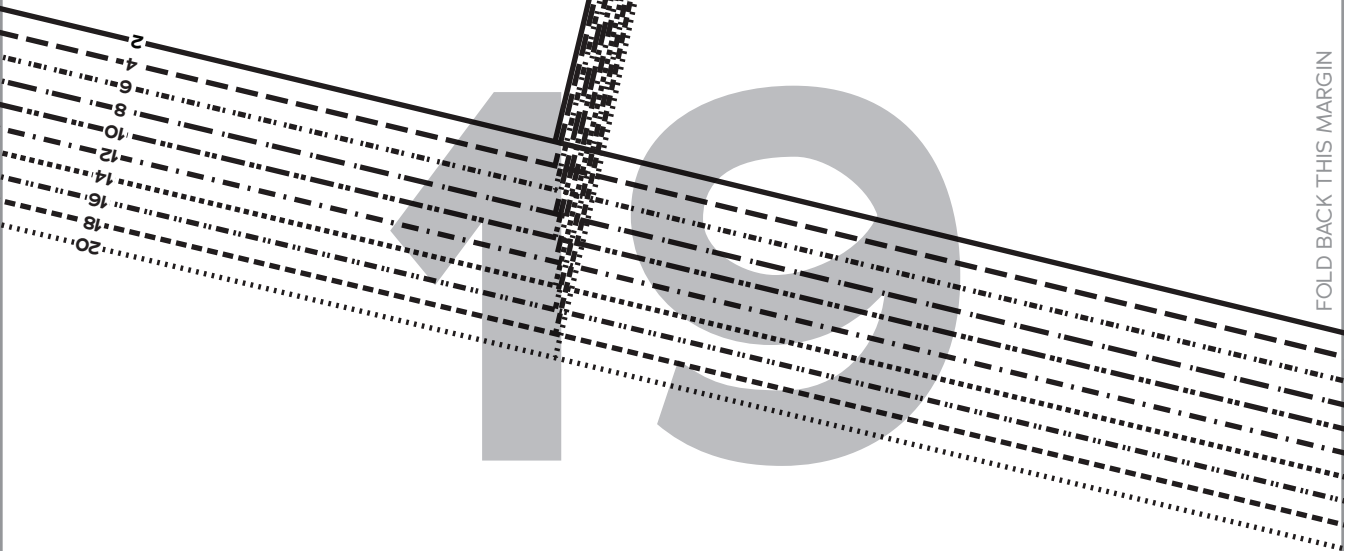
C4

B4

B5

PAGE

FOLD BACK THIS MARGIN



C4

FOLD BACK THIS MARGIN

C5

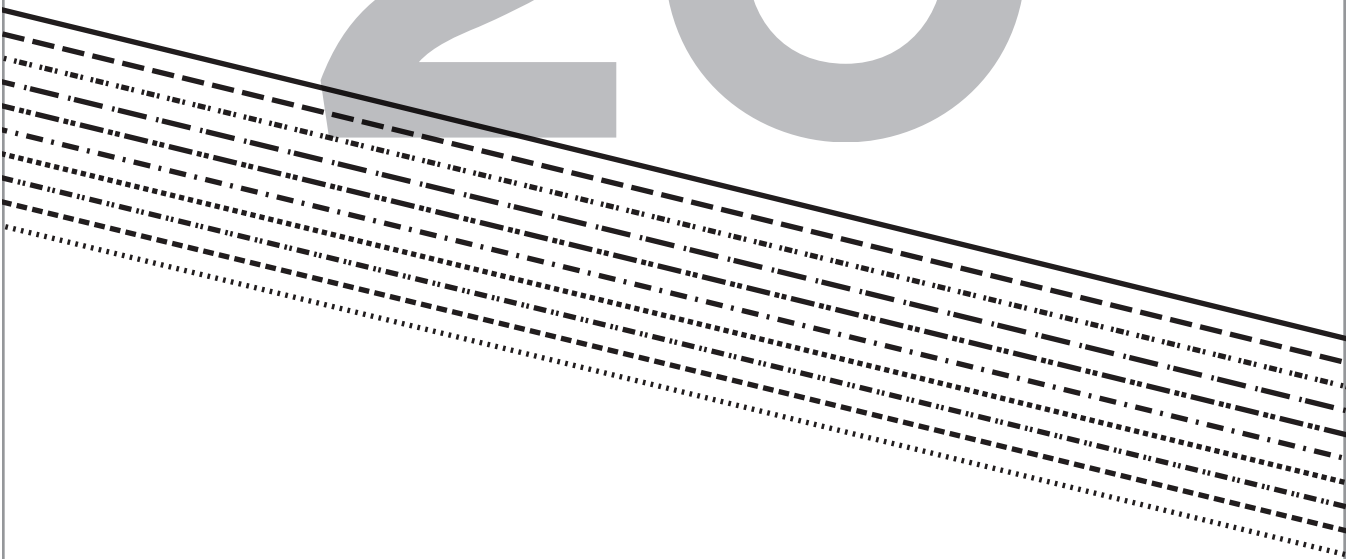
B5

B6

PAGE

20

FOLD BACK THIS MARGIN



C5

FOLD BACK THIS MARGIN

C6

B6

PAGE 21

C6

FOLD BACK THIS MARGIN

C1

PAGE
22

LENGTH ADJUSTMENT LINE

FOLD BACK THIS MARGIN

FOLD BACK THIS MARGIN

D1

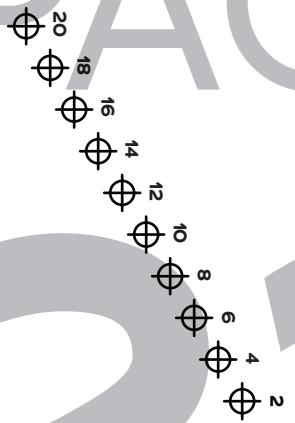
C1

C2

2"

PAGE

23



FOLD BACK THIS MARGIN



D1

FOLD BACK THIS MARGIN

D2

C2

C3

4
2

PAGE

Cut 1 fabric on fold,
1 lining on fold

Bodice
Front,
H Cup

1

GOWN
SIZES 2-20

Society
of CHARM
Starlet

24

FOLD BACK THIS MARGIN

FOLD

D2

FOLD BACK THIS MARGIN

D3

C3

C4

PAGE

25

FOLD BACK THIS MARGIN

2

4

6

8

10

12

14

16

18

20

22

24

26

28

30

32

34

36

38

40

42

44

46

48

50

52

54

56

58

60

62

64

66

68

70

72

74

76

78

80

82

84

86

88

90

92

94

96

98

100



D3

FOLD BACK THIS MARGIN

D4

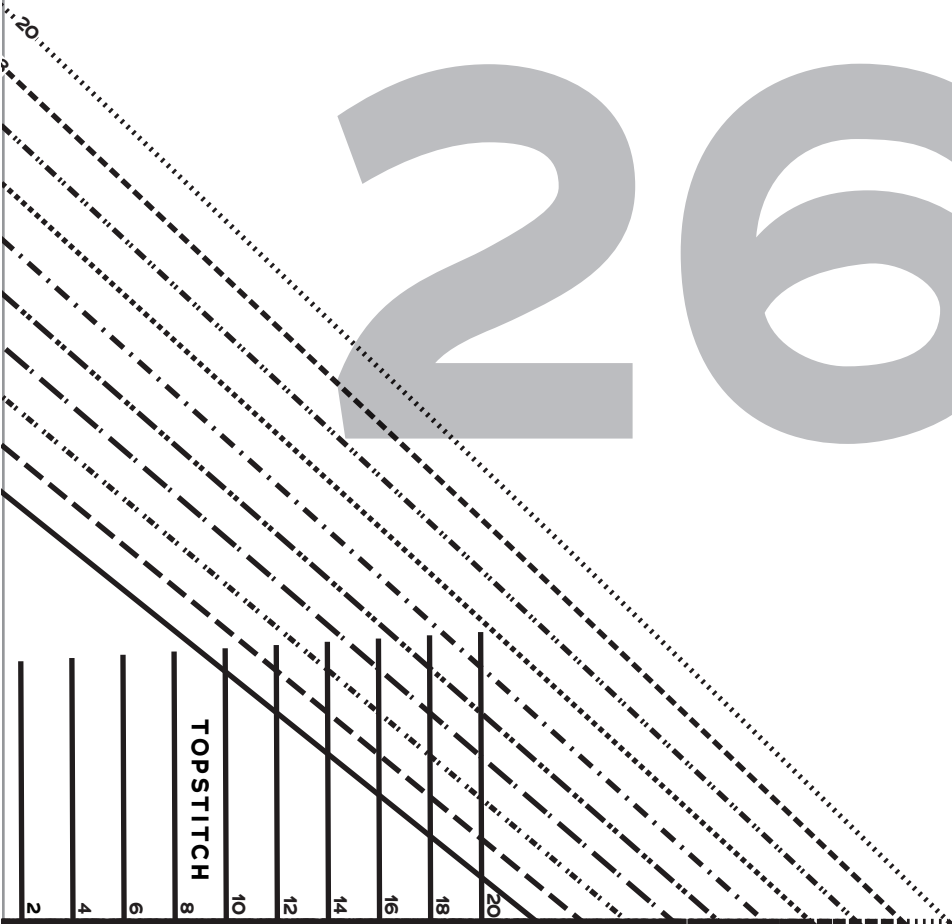
C4

C5

PAGE

26

FOLD BACK THIS MARGIN



TOPSTITCH

D4

FOLD BACK THIS MARGIN

D5

C5

C6

PAGE

27

Society of CHARM
Starlet

GOWN
SIZES 2-20

7
Skirt Back
Yoke
Cut 1 fabric on fold

FOLD

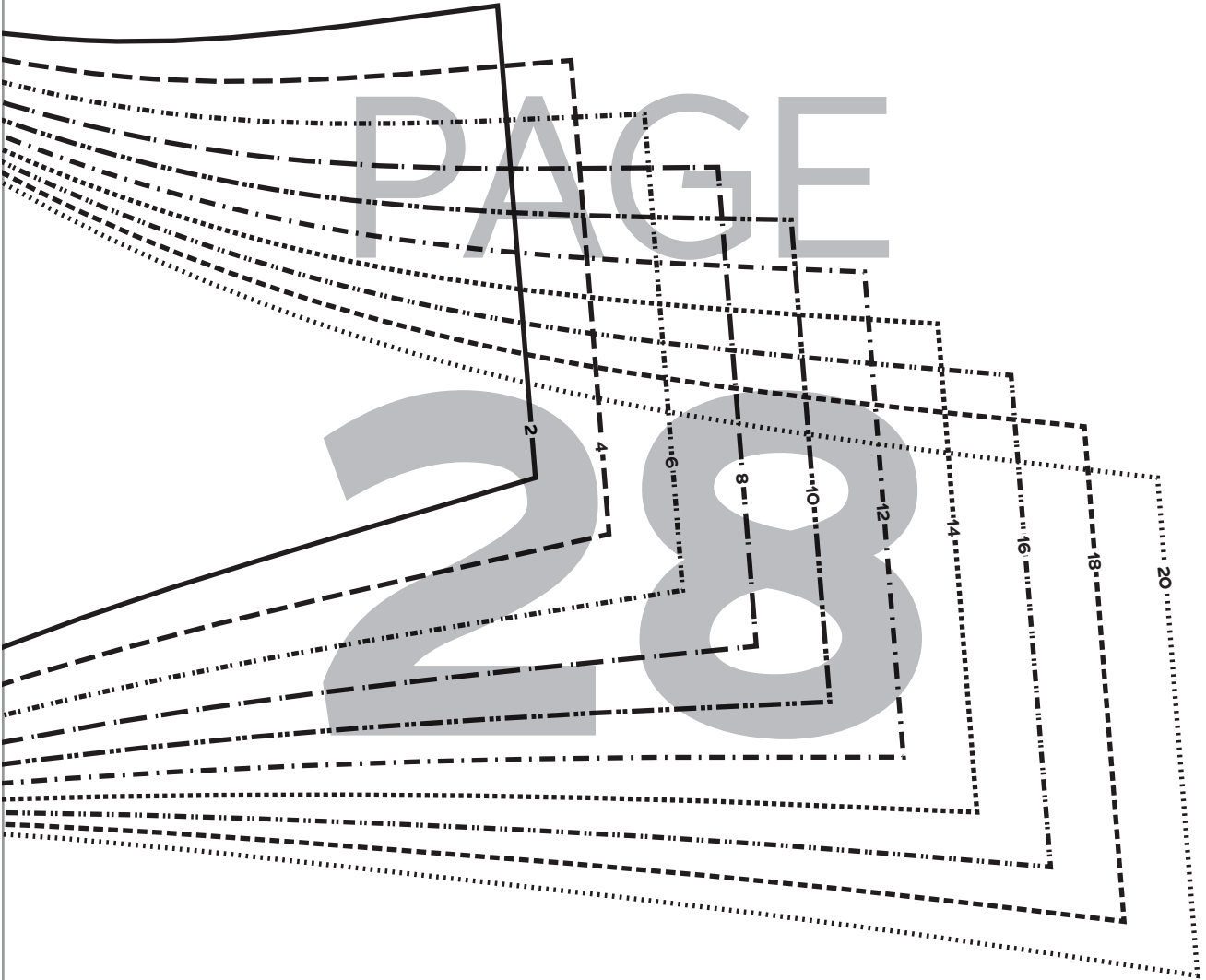
FOLD BACK THIS MARGIN

D5

FOLD BACK THIS MARGIN

D6

C6



D6

FOLD BACK THIS MARGIN

D1

2
4
6
8
10
12
14
16
18
20

PAGE
29

FOLD BACK THIS MARGIN

FOLD BACK THIS MARGIN

E1

D1

D2

PAGE

30

LENGTH ADJUSTMENT LINE

FOLD BACK THIS MARGIN

E1

FOLD BACK THIS MARGIN

E2

D2

D3

PAGE

Society of CHARM
Starlet
GOWN
SIZES 2-20

5
Skirt Side
Front

Cut 2 fabric

FOLD BACK THIS MARGIN



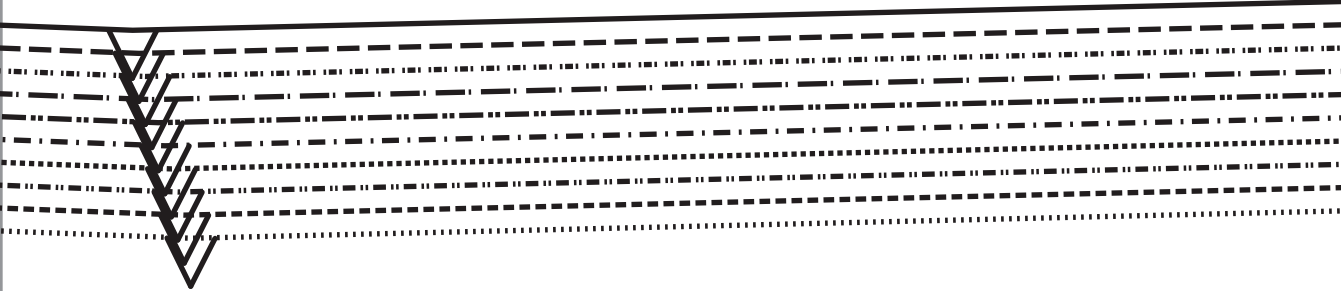
E2

FOLD BACK THIS MARGIN

E3

D3

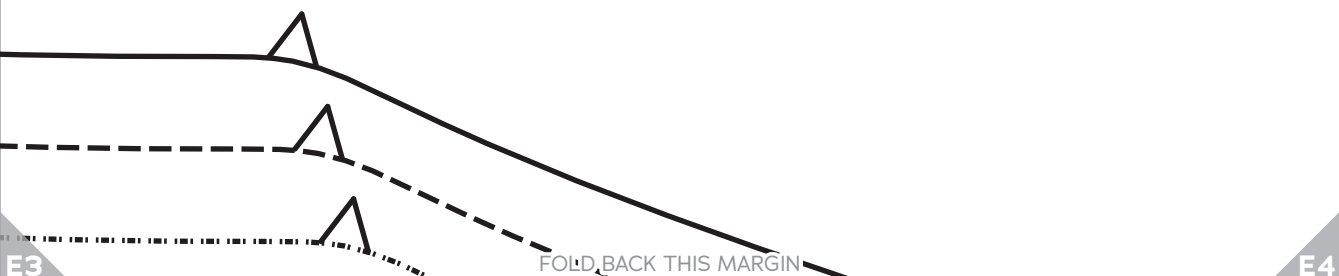
D4



PAGE

32

FOLD BACK THIS MARGIN



E3

FOLD BACK THIS MARGIN

E4

D4

D5

PAGE

33

RAINLINE

SHORT SKIRT CUTTING LINE

FOLD BACK THIS MARGIN

E4

FOLD BACK THIS MARGIN

E5

D5

D6

2
4
6
8
10
12
14
16
18
20

PAGE



34

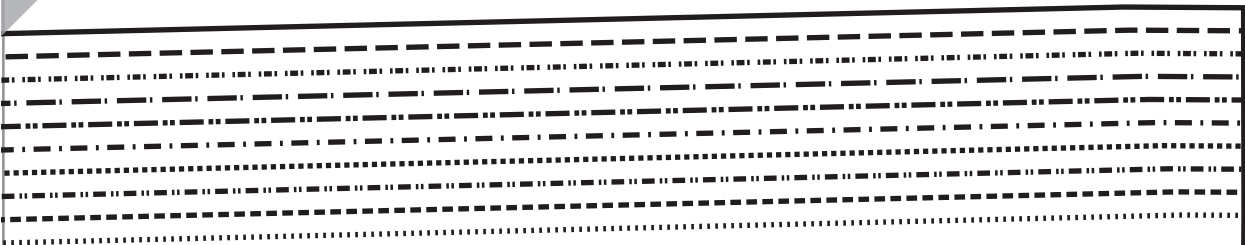
FOLD BACK THIS MARGIN

E5

FOLD BACK THIS MARGIN

E6

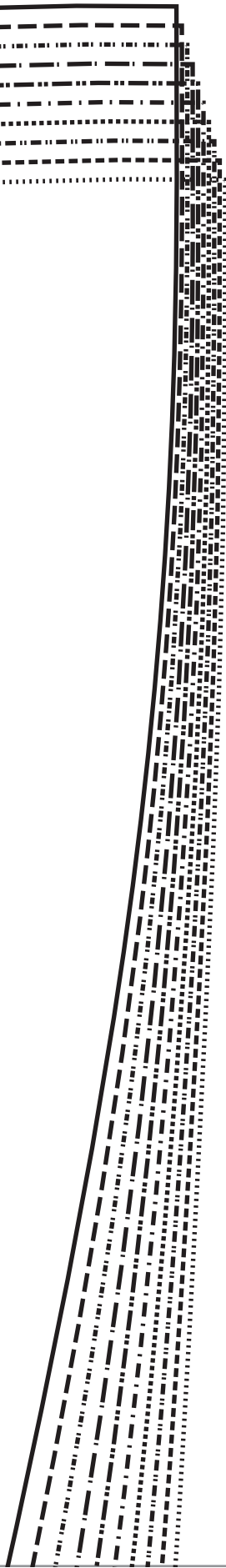
D6



PAGE 35

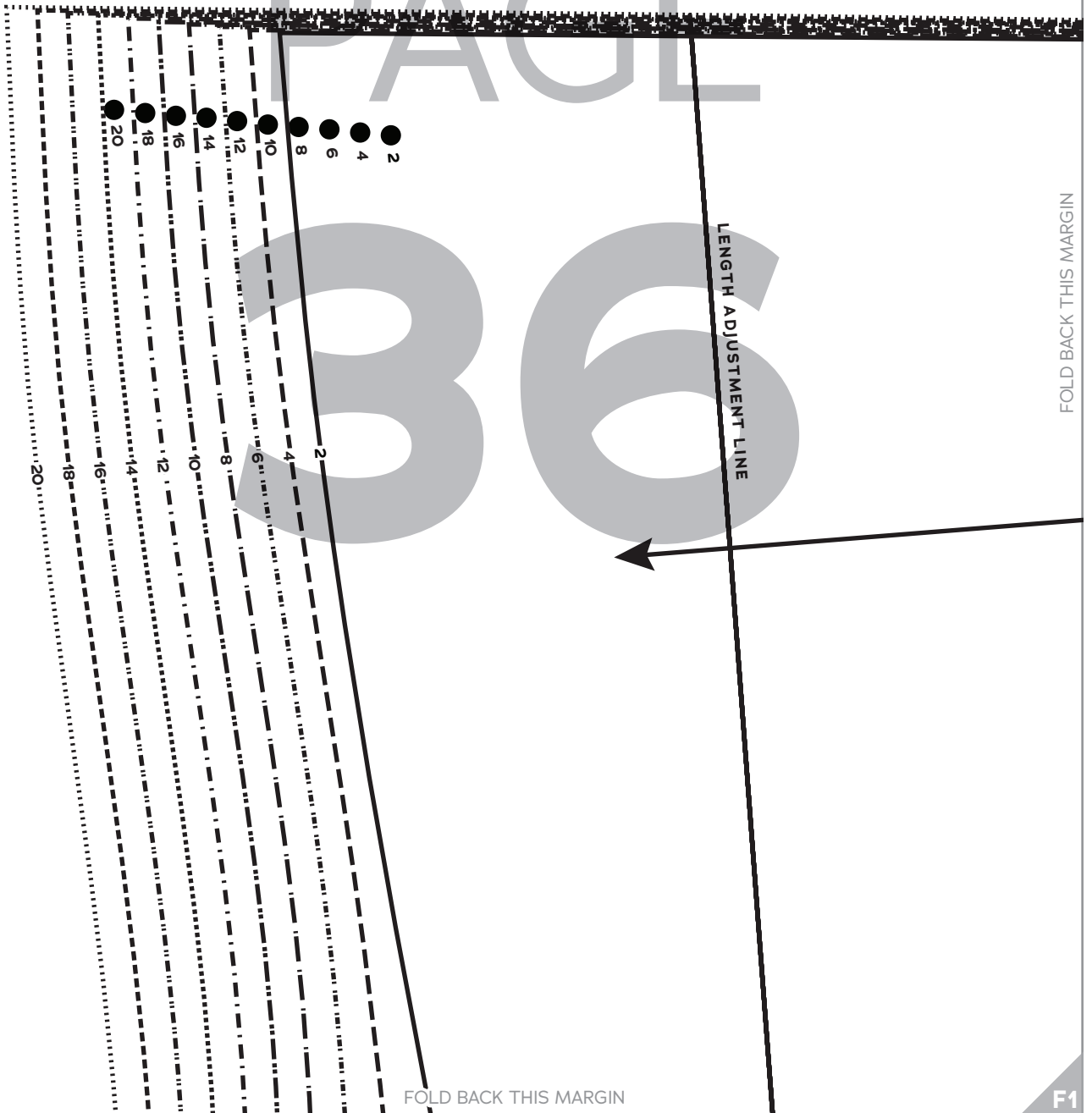
E6

FOLD BACK THIS MARGIN



PAGE

36



FOLD BACK THIS MARGIN

FOLD BACK THIS MARGIN

E1

E2

9
18
20

PAGE

- 2 ●
- 4 ●
- 6 ●
- 8 ●
- 10 ●
- 12 ●
- 14 ●
- 16 ●
- 18 ●
- 20 ●

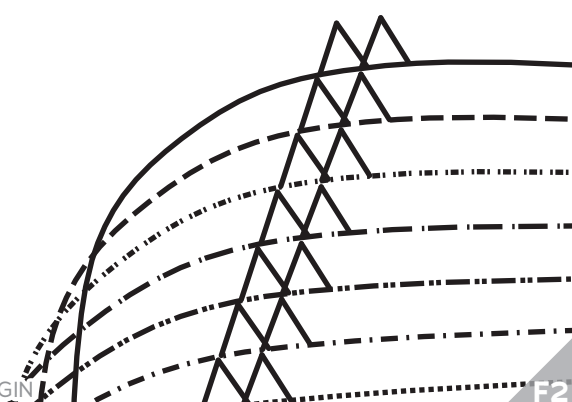
BACK
INSET

37

FOLD BACK THIS MARGIN

GRAINLINE

Society of Charm
Starlet
GOWN
SIZES 2-20
2
Bodice
Back
Cut 2 fabric, 2 lining



F1

FOLD BACK THIS MARGIN

F2

E3

E4

PAGE

Society of Charm
Starlet

GOWN
SIZES 2-20

3

Bodice
Back Inset

Cut 1 contrast
fabric, 1 lining

LENGTH ADJUSTMENT LINE

FOLD BACK THIS MARGIN

F3

FOLD BACK THIS MARGIN

F4

E4

E5

PAGE

40

FOLD BACK THIS MARGIN

GRAINLINE



F4

FOLD BACK THIS MARGIN

F5

E5

E6

PAGE

44

FOLD BACK THIS MARGIN

2

4

6

8

10

12

14

16

18

20

F5

FOLD BACK THIS MARGIN

F6

E6

PAGE

42

F6

FOLD BACK THIS MARGIN

F1

2
4
6
8
10
12
14
16
18
20

PAGE

43

FOLD BACK THIS MARGIN

FOLD BACK THIS MARGIN

G1

F1

F2

PAGE

44

FOLD BACK THIS MARGIN

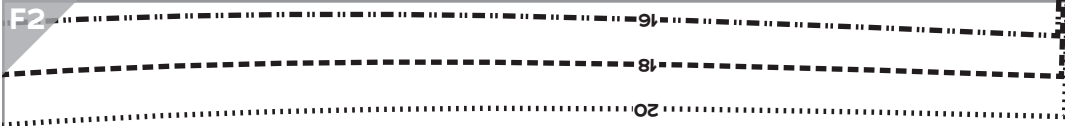
G1

FOLD BACK THIS MARGIN

G2

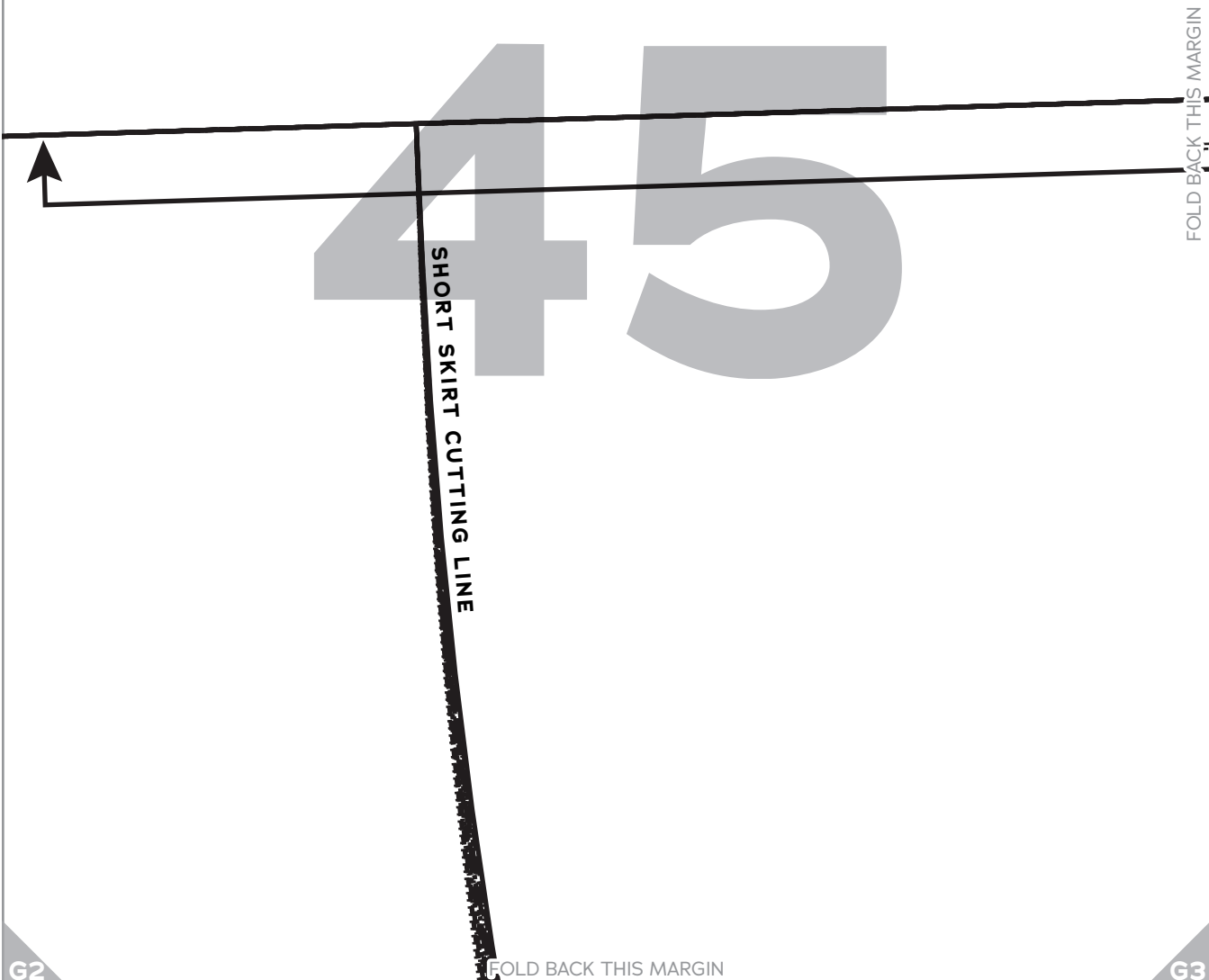
F2

F3



PAGE

45



G2

FOLD BACK THIS MARGIN

G3

F3

F4

PAGE

46

OLD

FOLD BACK THIS MARGIN

6
Skirt Back
Cut 1 fabric on fold

Society of Charm
Starlet
GOWN
SIZES 2-20

G3

FOLD BACK THIS MARGIN

G4

F4

F5

PAGE



FOLD BACK THIS MARGIN

47

G4

FOLD BACK THIS MARGIN

G5

F5

F6

PAGE

48

LENGTH ADJUSTMENT LINE

FOLD BACK THIS MARGIN

G5

FOLD BACK THIS MARGIN

G6

F6

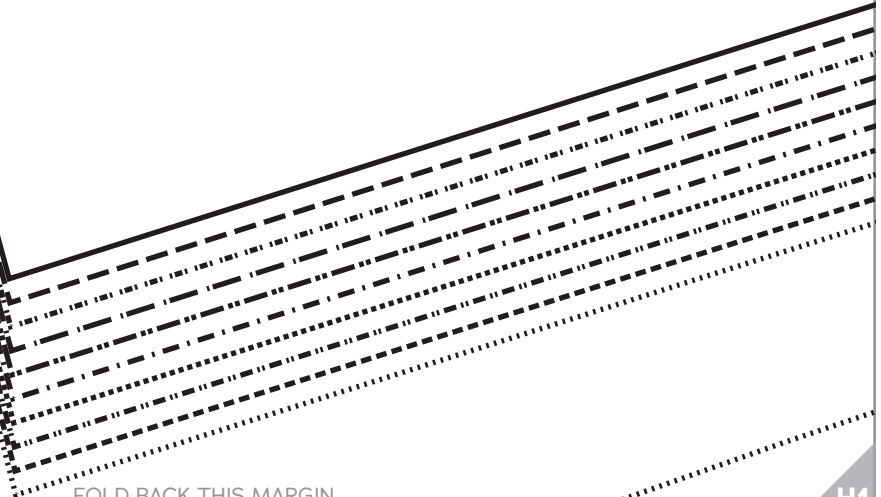
PAGE 49

G6

FOLD BACK THIS MARGIN

PAGE 50

FOLD BACK THIS MARGIN



FOLD BACK THIS MARGIN

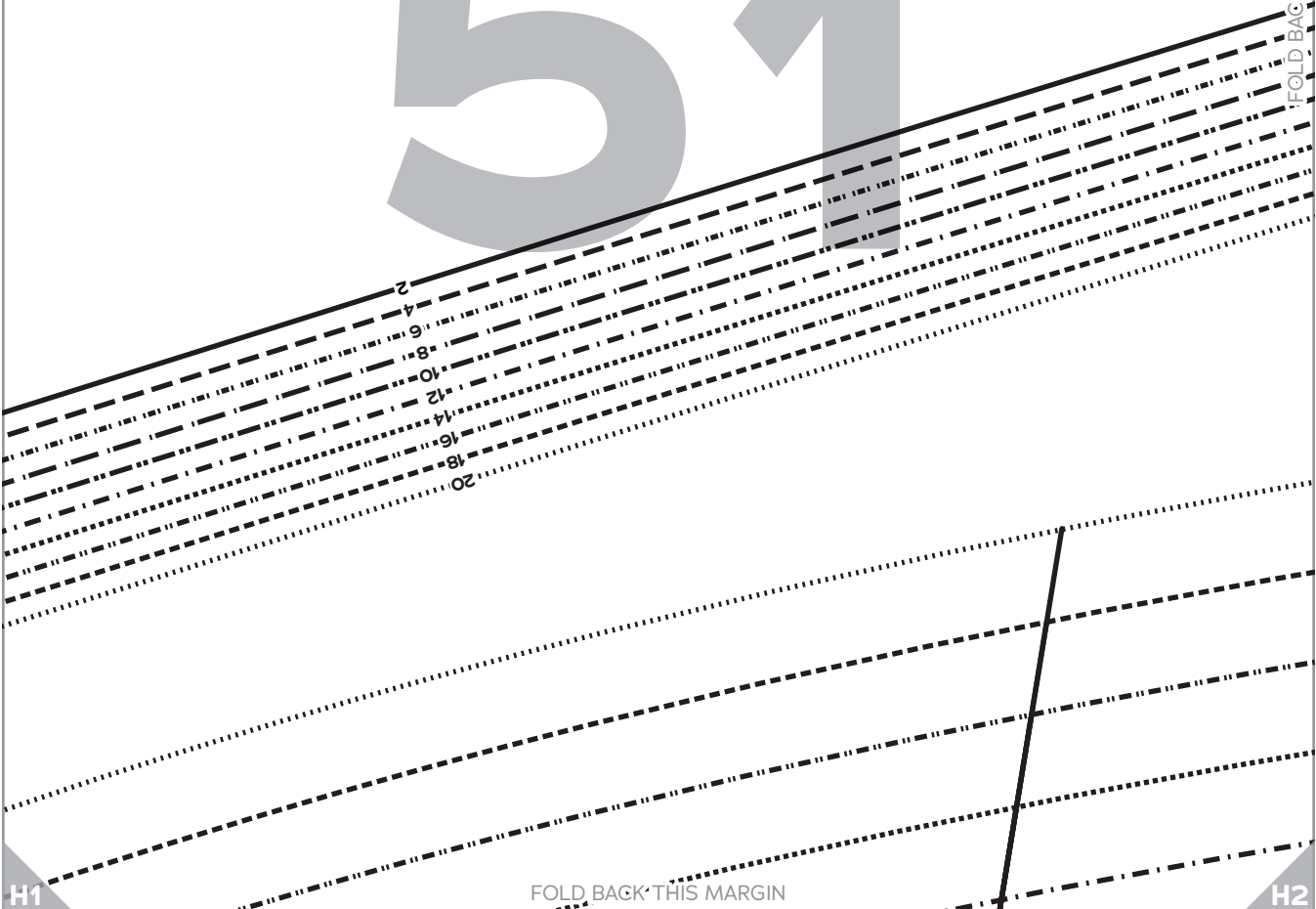
G1

G2

PAGE

51

FOLD BACK THIS MARGIN



H1

FOLD BACK THIS MARGIN

H2

G2

G3

PAGE

52

FOLD BACK THIS MARGIN

20

18

16

14

12

H2

FOLD BACK THIS MARGIN

H3

G3

G4

PAGE

53

FOLD BACK THIS MARGIN

FOLD BACK THIS MARGIN

H3

H4

G4

G5

PAGE

54

FOLD BACK THIS MARGIN

CUTTING LINE

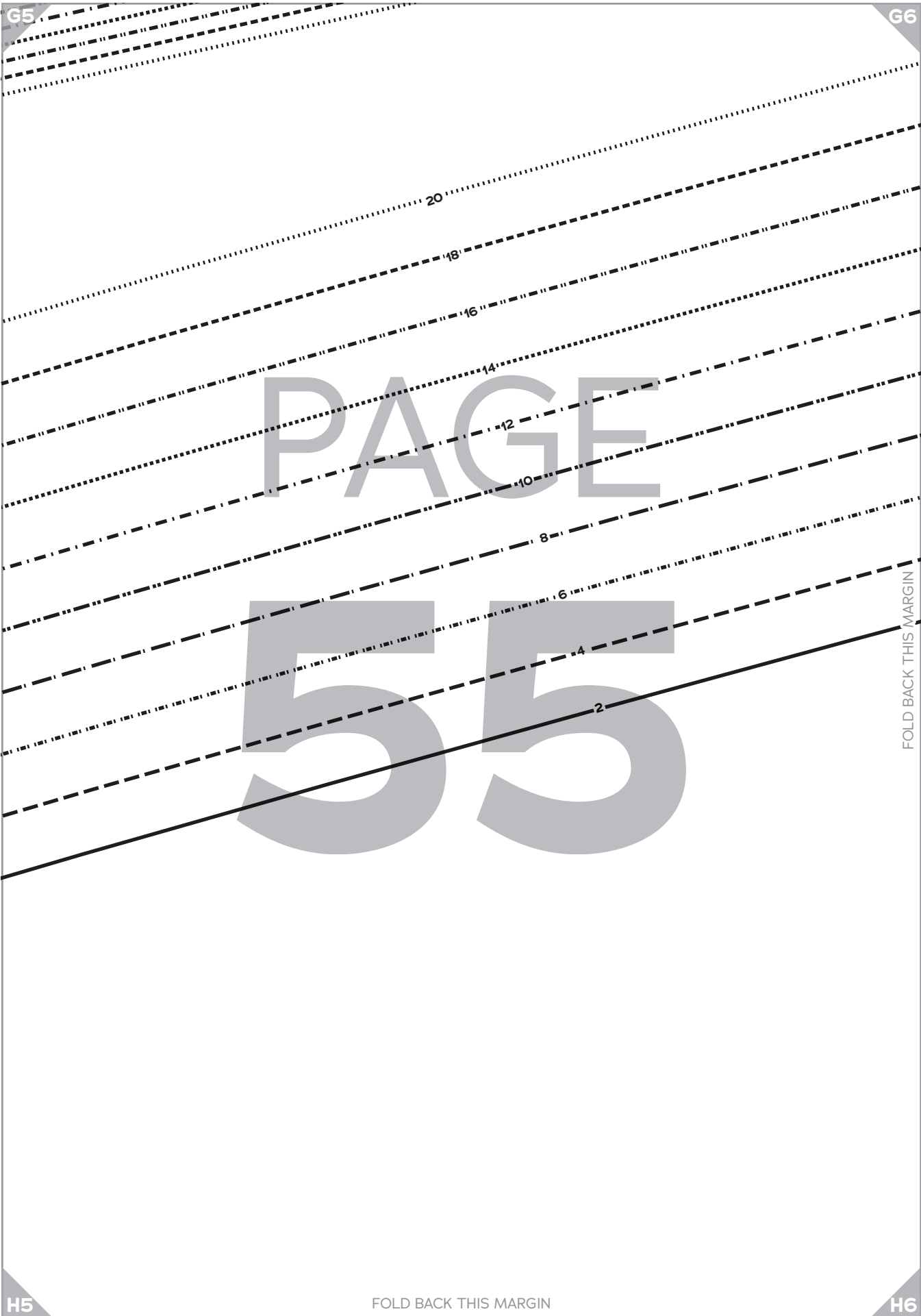
FOLD BACK THIS MARGIN

H4

H5

G5

G6



PAGE

55

FOLD BACK THIS MARGIN

FOLD BACK THIS MARGIN

G6

PAGE

56

H6

FOLD BACK THIS MARGIN

PAGE

57

FOLD BACK THIS MARGIN

H1

H2

PAGE

58

LENGTH ADJUSTMENT LINE

FOLD BACK THIS MARGIN

20
18
16
14
12
10
8
6
4
2

H2

H3

8

6

4

2

PAGE

59



FOLD BACK THIS MARGIN

H3

H4

PAGE

Society of CHARM
Starlet

GOWN
SIZES 2-20

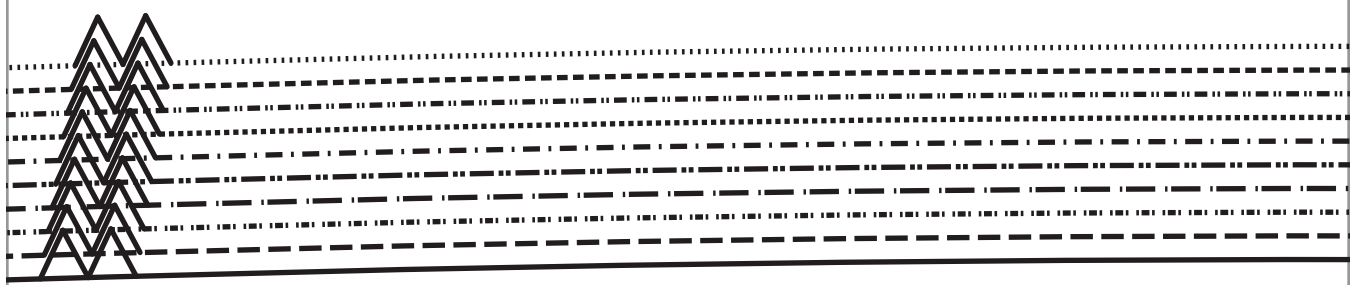
8

Skirt Side
Back

Cut 2 fabric

FOLD BACK THIS MARGIN

GRAINLINE



H4

H5

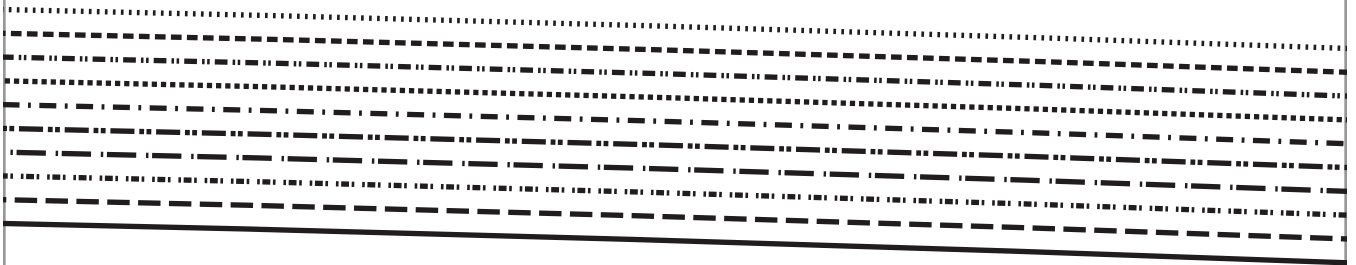
SHORT SKIRT CUT

PAGE
61

FOLD BACK THIS MARGIN

PAGE 62

FOLD BACK THIS MARGIN



PAGE 63

