

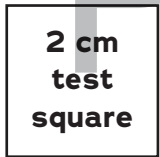
# Maria



## PENCIL SKIRT

Sizes 2-20

5/8 inch (in) (1.5 cm) seam allowances are included on all pattern pieces.



PAGE

SIZES 2-20  
PATTERN  
SIZE KEY

2	—————
4	- - - - -
6	.....
8	- . - . -
10	.....
12	.....
14	.....
16	.....
18	.....
20	.....

SYMBOL KEY

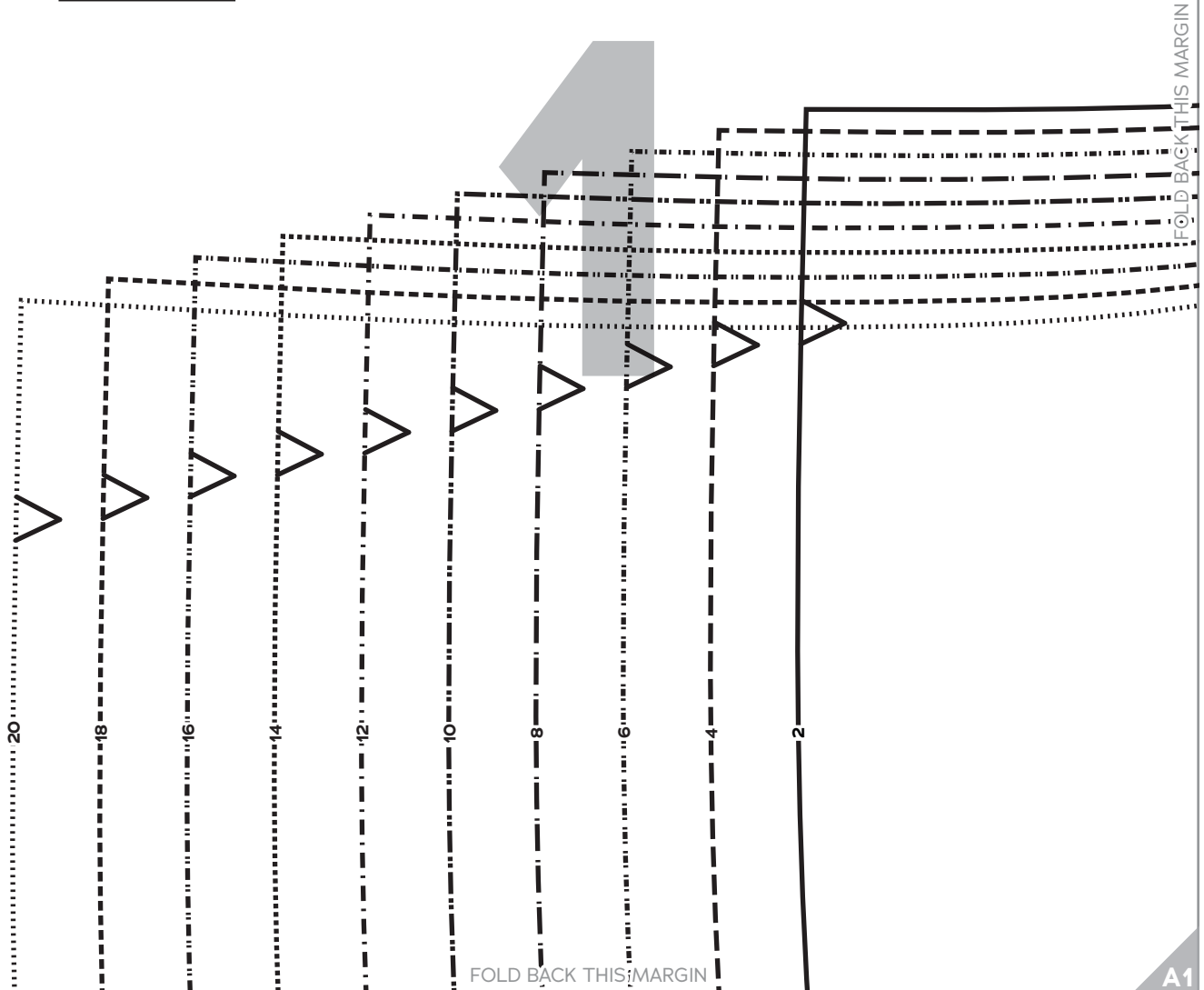
grainline arrow



match point/  
placement mark

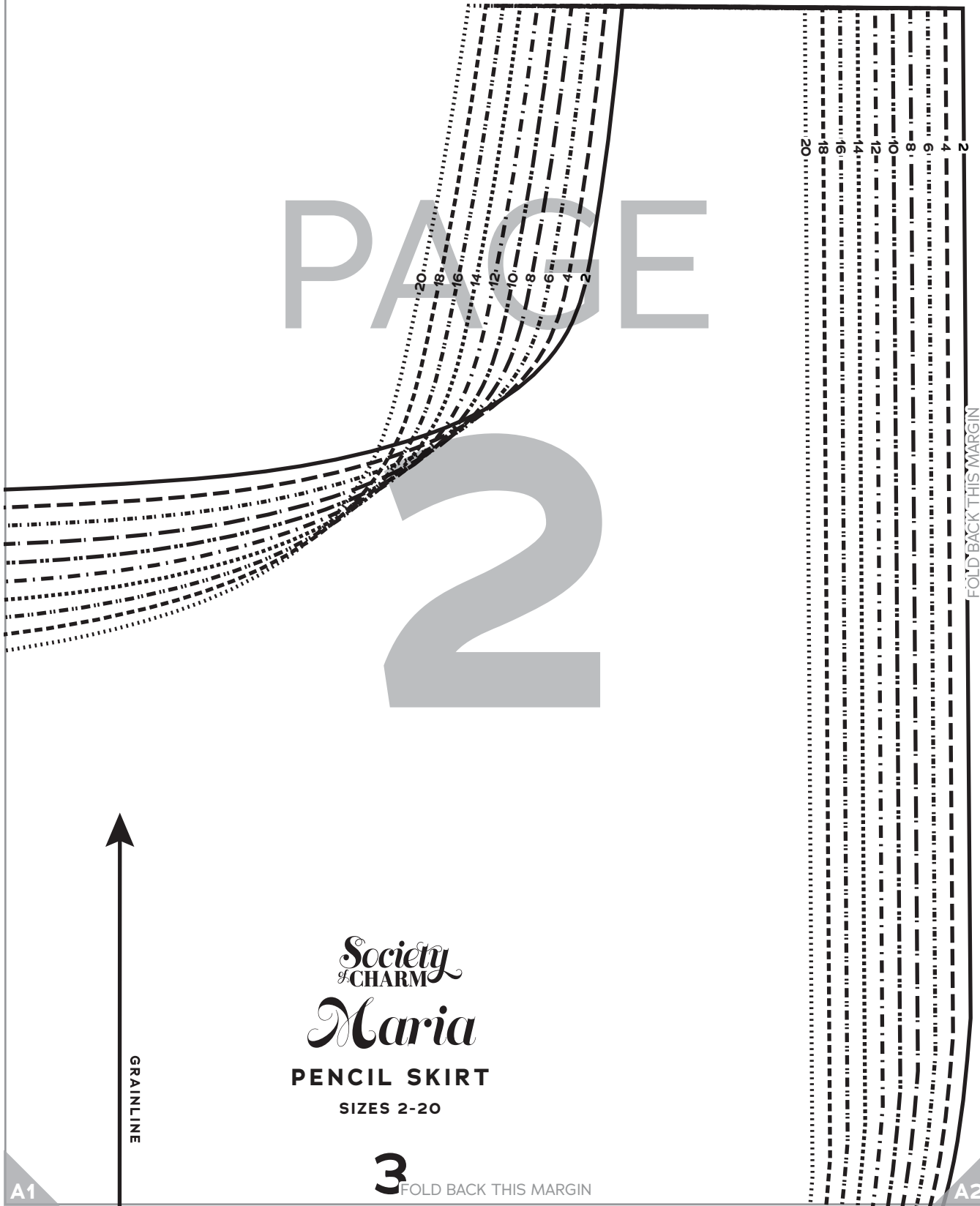


© 2023 Charm Patterns  
by Gertie. Distribution  
and Commercial Use  
Prohibited.



PAGE

2



FOLD BACK THIS MARGIN

GRAINLINE

Society  
of CHARM  
*Maria*  
PENCIL SKIRT  
SIZES 2-20

3 FOLD BACK THIS MARGIN

A1

A2

PAGE

3

FOLD BACK THIS MARGIN

A2

FOLD BACK THIS MARGIN

A3

PAGE

4

20  
18  
16  
14  
12  
10  
8  
6  
4  
2

FOLD BACK THIS MARGIN

A3

FOLD BACK THIS MARGIN

A4

PAGE

5

FOLD BACK THIS MARGIN

A4

FOLD BACK THIS MARGIN

A5

PAGE

6

FOLD BACK THIS MARGIN

A5

FOLD BACK THIS MARGIN

A6

# PAGE

# 7

FOLD BACK THIS MARGIN

FOLD BACK THIS MARGIN

A6

A7

PAGE

8

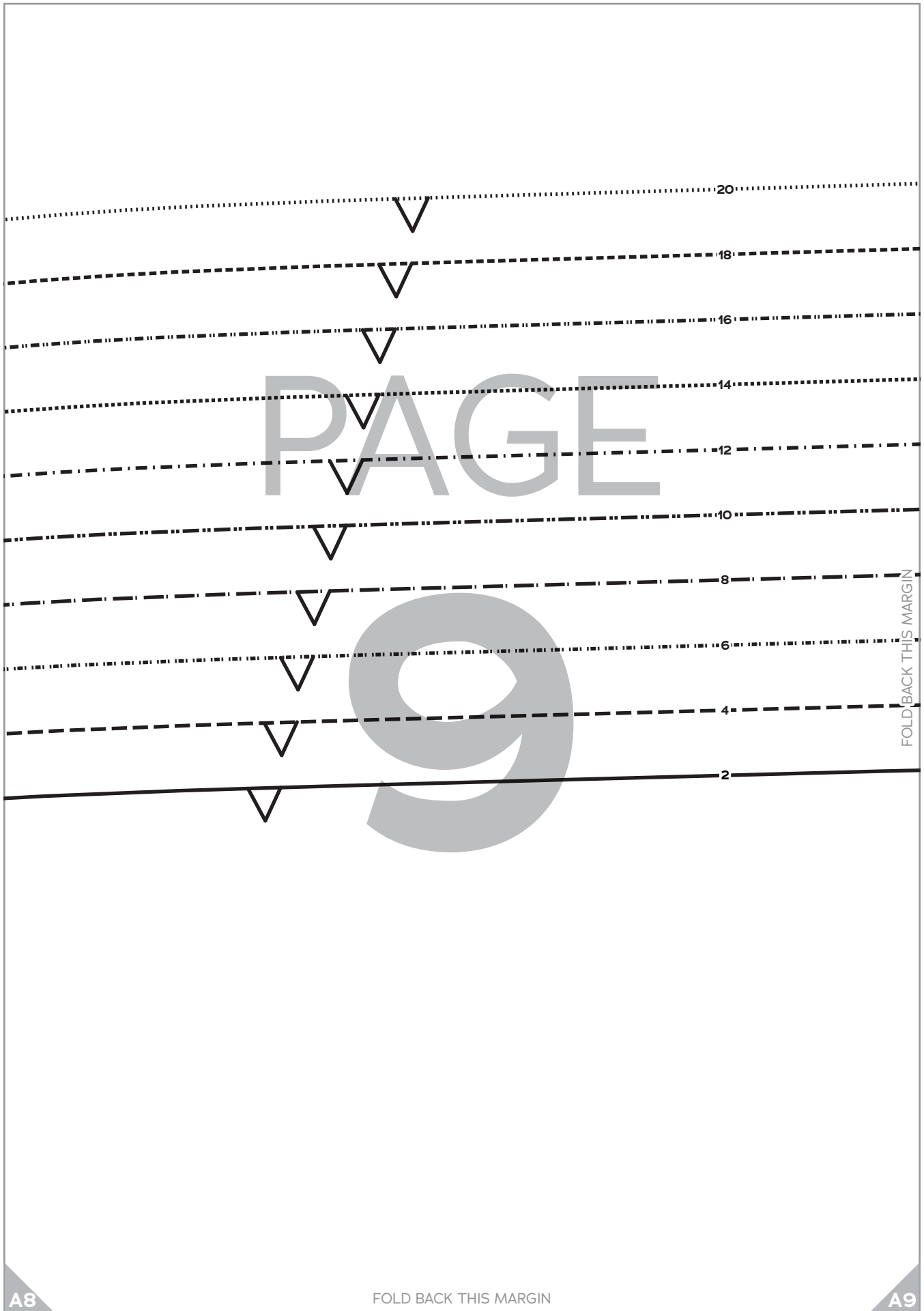
FOLD BACK THIS MARGIN

A7

FOLD BACK THIS MARGIN

A8





PAGE

9

FOLD BACK THIS MARGIN

FOLD BACK THIS MARGIN

A8

A9

PAGE

10

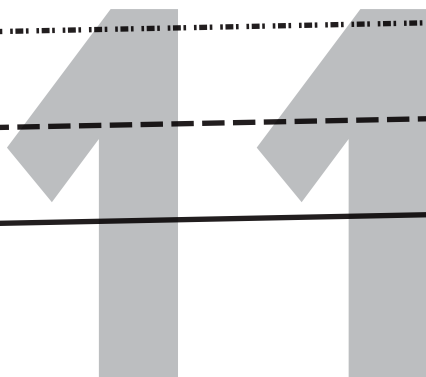
FOLD BACK THIS MARGIN

A9

FOLD BACK THIS MARGIN

A10

PAGE



PAGE

12

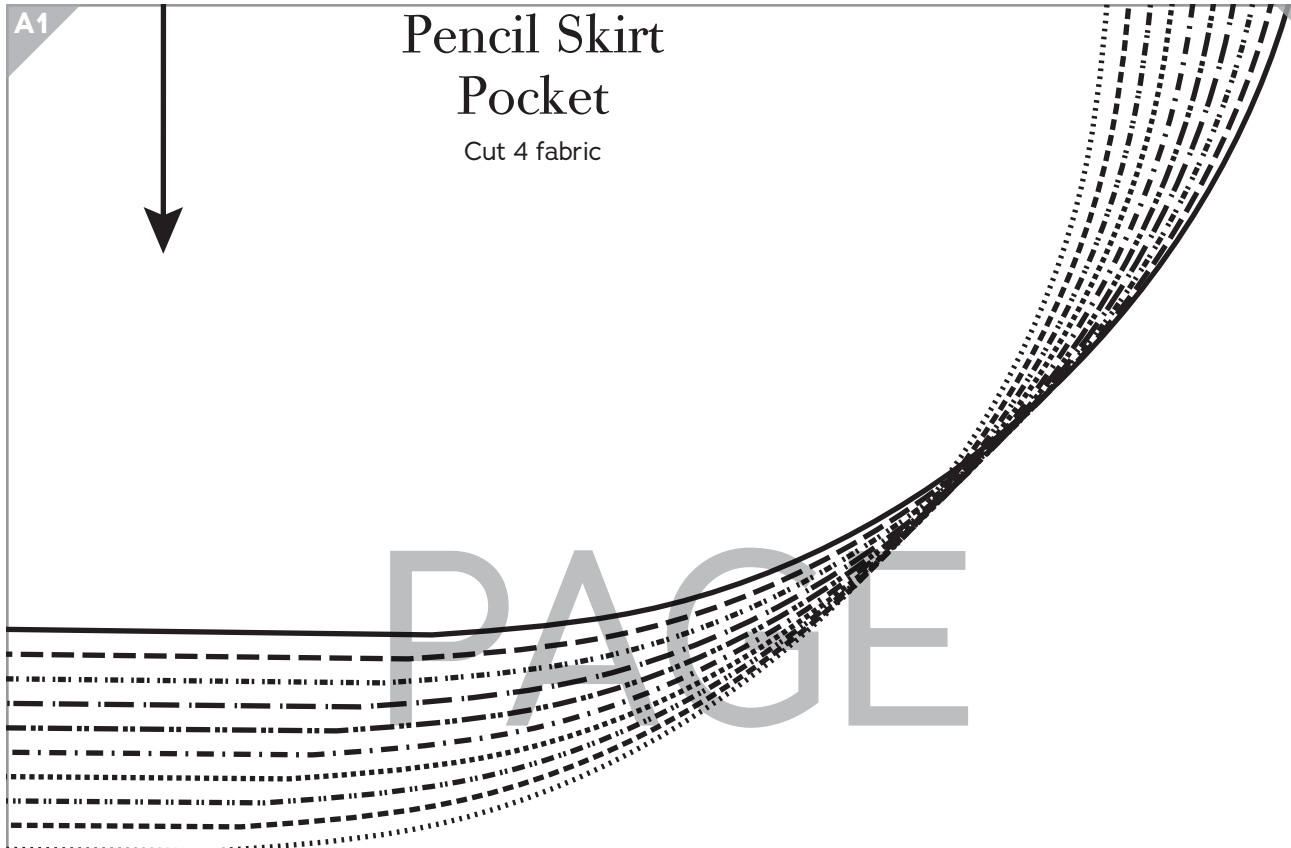
FOLD BACK THIS MARGIN

A1

# Pencil Skirt Pocket

Cut 4 fabric

A2



PAGE

13

FOLD BACK THIS MARGIN

A2

A3

PAGE

14

FOLD BACK THIS MARGIN

PAGE

15

FOLD BACK THIS MARGIN



FOLD BACK THIS MARGIN



Society  
of CHARM  
*Maria*

PENCIL SKIRT  
SIZES 2-20

1

Pencil Skirt  
Front

Cut 1 fabric on fold

PAGE  
16

FOLD



A5

A6

PAGE

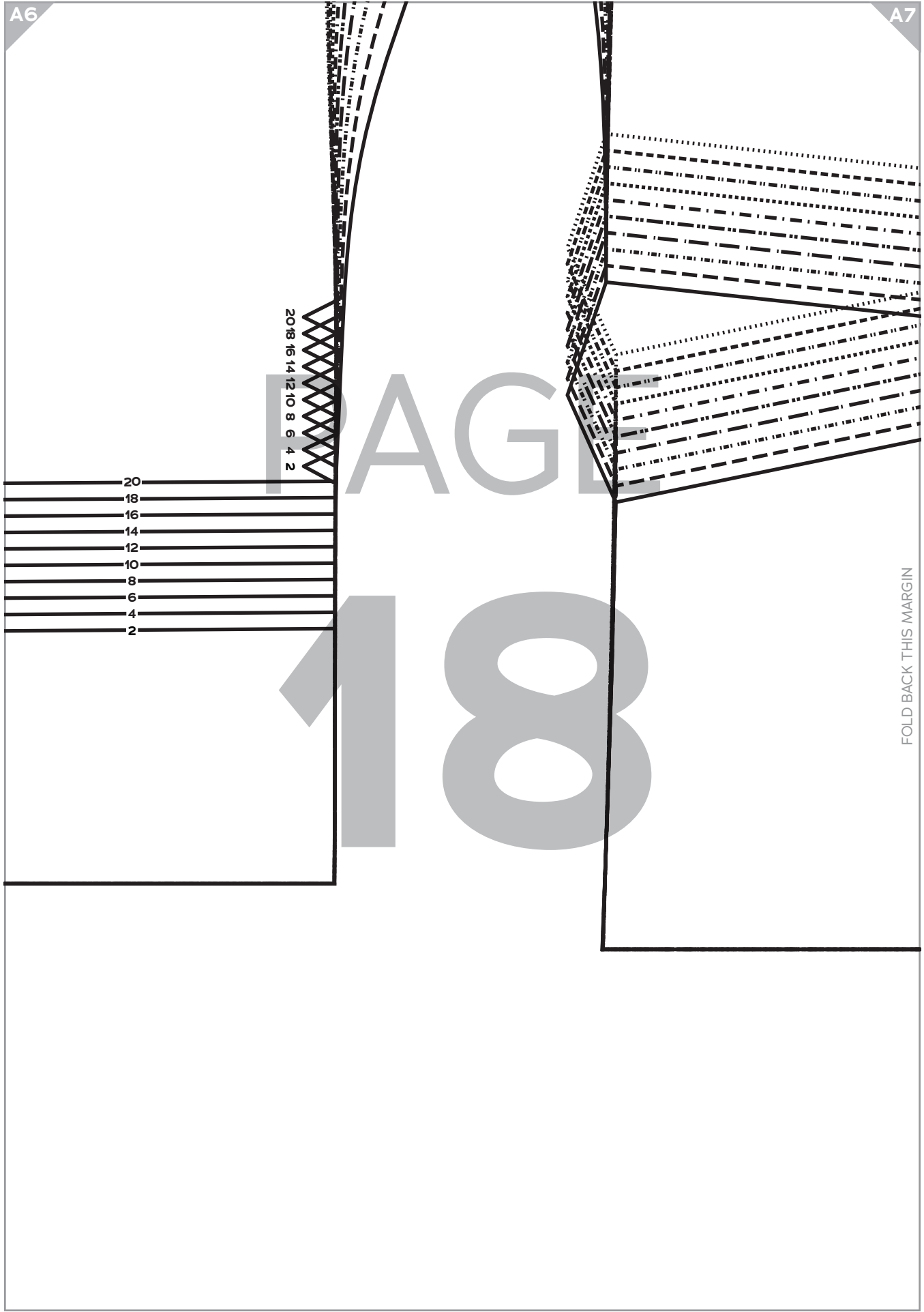
17

FOLD BACK THIS MARGIN



A6

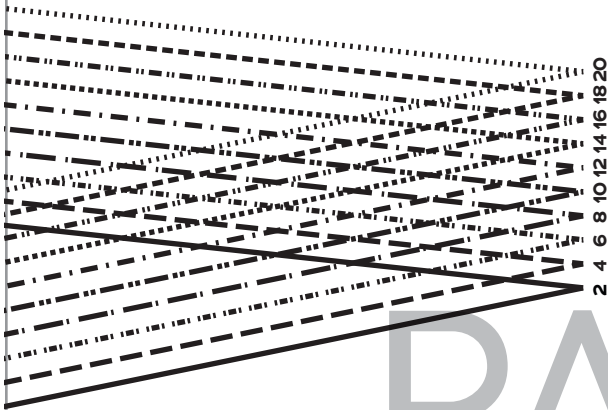
A7



FOLD BACK THIS MARGIN

A7

A8



2 4 6 8 10 12 14 16 18 20

PAGE

19



● ZIPPER

FOLD BACK THIS MARGIN

*Society*  
of  
CHARM

*Maria*

**PENCIL SKIRT**  
SIZES 2-20

**2**

**Pencil Skirt**  
**Back**  
Cut 2 fabric

PAGE

GRAINLINE

20

FOLD BACK THIS MARGIN

PAGE



21

● BACK SLIT

FOLD BACK THIS MARGIN

PAGE

22